

# PRODUCT INFORMATION PACKET

Model No: 056S17D2049

Catalog No: B200

0.50 HP Fan and Blower HVAC/R Motor, 1 phase, 1800 RPM, 115 V, 56Z Frame, ODP  
Other Fan and Blower Motors



Regal and Marathon are trademarks of Regal Beloit Corporation or one of its affiliated companies.  
©2020 Regal Beloit Corporation, All Rights Reserved. MC017097E

REGAL

### Nameplate Specifications

Output HP	<b>0.50 Hp</b>	Output KW	<b>0.37 kW</b>
Frequency	<b>60 Hz</b>	Voltage	<b>115 V</b>
Current	<b>7.2 A</b>	Speed	<b>1725 rpm</b>
Service Factor	<b>1.25</b>	Phase	<b>1</b>
Efficiency	<b>66 %</b>	Power Factor	<b>71.5</b>
Duty	<b>Continuous</b>	Insulation Class	<b>B</b>
Design Code	<b>NO DESIGN CODE</b>	KVA Code	<b>L</b>
Frame	<b>56Z</b>	Enclosure	<b>Drip Proof</b>
Thermal Protection	<b>Automatic</b>	Ambient Temperature	<b>40 °C</b>
Drive End Bearing Size	<b>6203</b>	Opp Drive End Bearing Size	<b>6203</b>
UL	<b>Recognized</b>	CSA	<b>Y</b>
CE	<b>N</b>	IP Code	<b>22</b>

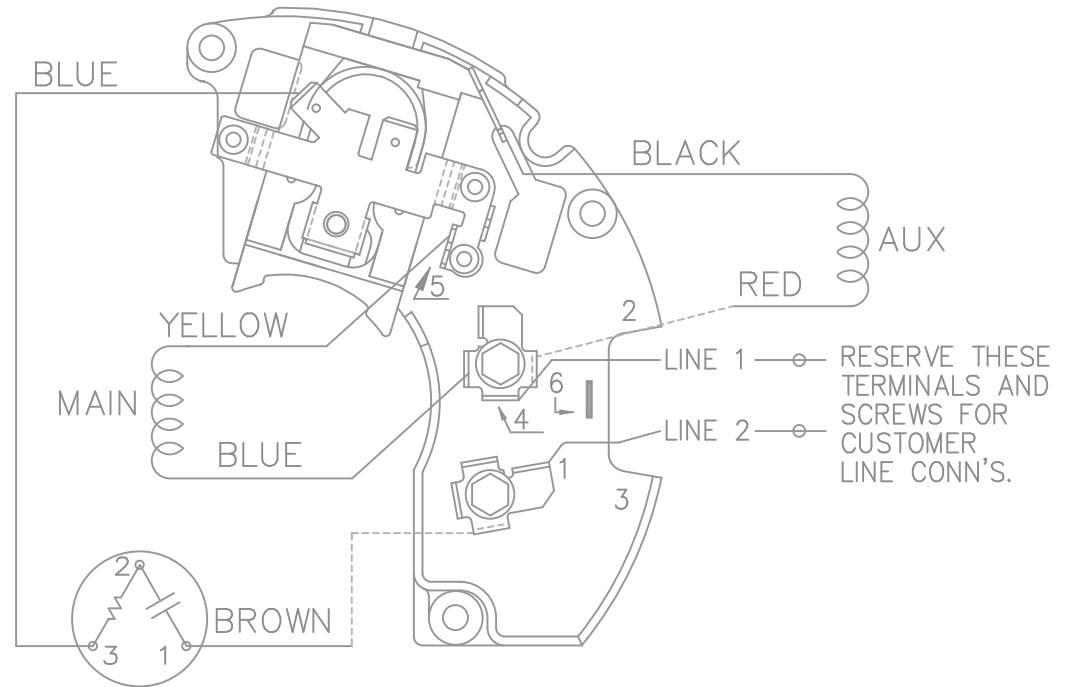
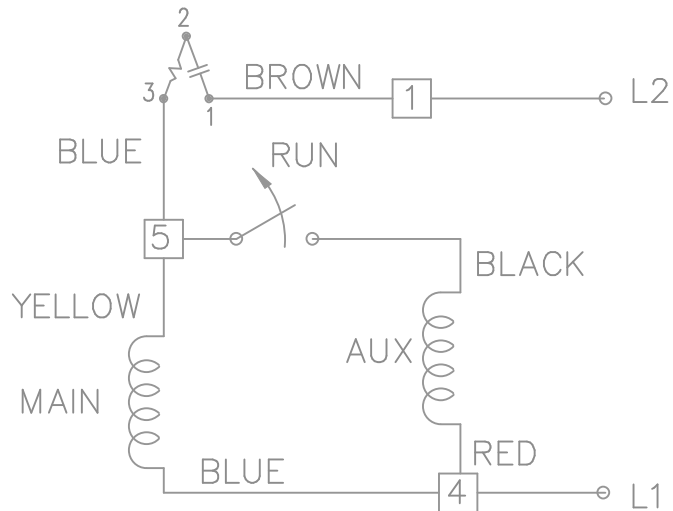
### Technical Specifications

Electrical Type	<b>Split Phase</b>	Starting Method	<b>Across The Line</b>
Poles	<b>4</b>	Rotation	<b>Selective Counterclockwise</b>
Resistance Main	<b>0 Ohms</b>	Mounting	<b>Resilient Base - Extended Studs</b>
Motor Orientation	<b>Horizontal</b>	Drive End Bearing	<b>Ball</b>
Opp Drive End Bearing	<b>Ball</b>	Frame Material	<b>Rolled Steel</b>
Shaft Type	<b>Single Special Extension</b>	Overall Length	<b>10.47 in</b>
Frame Length	<b>6.50 in</b>	Shaft Diameter	<b>0.625 in</b>
Shaft Extension	<b>1.97 in</b>	Assembly/Box Mounting	<b>F1 ONLY</b>
Connection Drawing	<b>A-EE7195</b>	Outline Drawing	<b>A-SS403781- 650</b>

This is an uncontrolled document once printed or downloaded and is subject to change without notice. Date Created:18/06/2020



SINGLE VOLTAGE – SPLIT PHASE  
 REVERSIBLE ON TERM BOARD  
 WITH OVERLOAD PROTECTION



VIEWING TERMINAL END

C.C.W. ROTATION SHOWN.

FOR C.W. ROTATION INTERCHANGE  
 YELLOW & BLUE LEADS ON TERM 5 & 4.

DASH LINES INDICATE LEADS CONNECTED  
 TO MOTOR SIDE OF SWITCH.

			TOLERANCES UNLESS SPECIFIED			DRAWN ML 01-27-1998			
			DEC.	INCHES		CHK GK 02-05-1988			
5	REDRAWN ON AUTOCAD	RWR 06-15-2004	ML	.X ± -	<b>TITLE CONNECTION DIAGRAM</b> 48 FR. SINGLE VOLTAGE REVERSIBLE	APPD DRN 03-11-1988			
4	REVERSED L1 AND L2 CN19709	AJS 01-16-1995	GK	.XX ± -		SCALE 1=1			
3	REVISED LINE 2 LOCATION CN6427	RM 01-28-1991	GK	.XXX ± -		REF			
2	ADDED CUSTOMER CONNECTION NOTE CN6011	BW 08-03-1989	GK	.XXXX ± -		MAT'L.	FMF		
NO.	REVISION	BY & DATE	CHK	ANG ± -		FINISH	PREV		
THIS DRAWING IN DESIGN AND DETAIL IS OUR PROPERTY AND MUST NOT BE USED EXCEPT IN CONNECTION WITH OUR WORK ALL RIGHTS OF DESIGN AND INVENTION ARE RESERVED THIS IS AN ELECTRONICALLY GENERATED DOCUMENT - DO NOT SCALE THIS PRINT			RFP	CAD FILE ee7195		SIZE A	DRAWING NO. EE7195	PAGE 1 OF 1	REV. 5
			DIST LB						



DATE: 06/28/2017 02:16:37 AM  
FORM 3531 REV.3 02/07/99  
\*\* Subject to change without notice.



**MARATHON ELECTRIC CORPORATION**  
TYPICAL PERFORMANCE CURVE for AC MOTOR

Customer

Curve at

115

Volts

HP 0.50

PHASE 1

Model No 56S17D2049

60

HZ

VOLTS 115

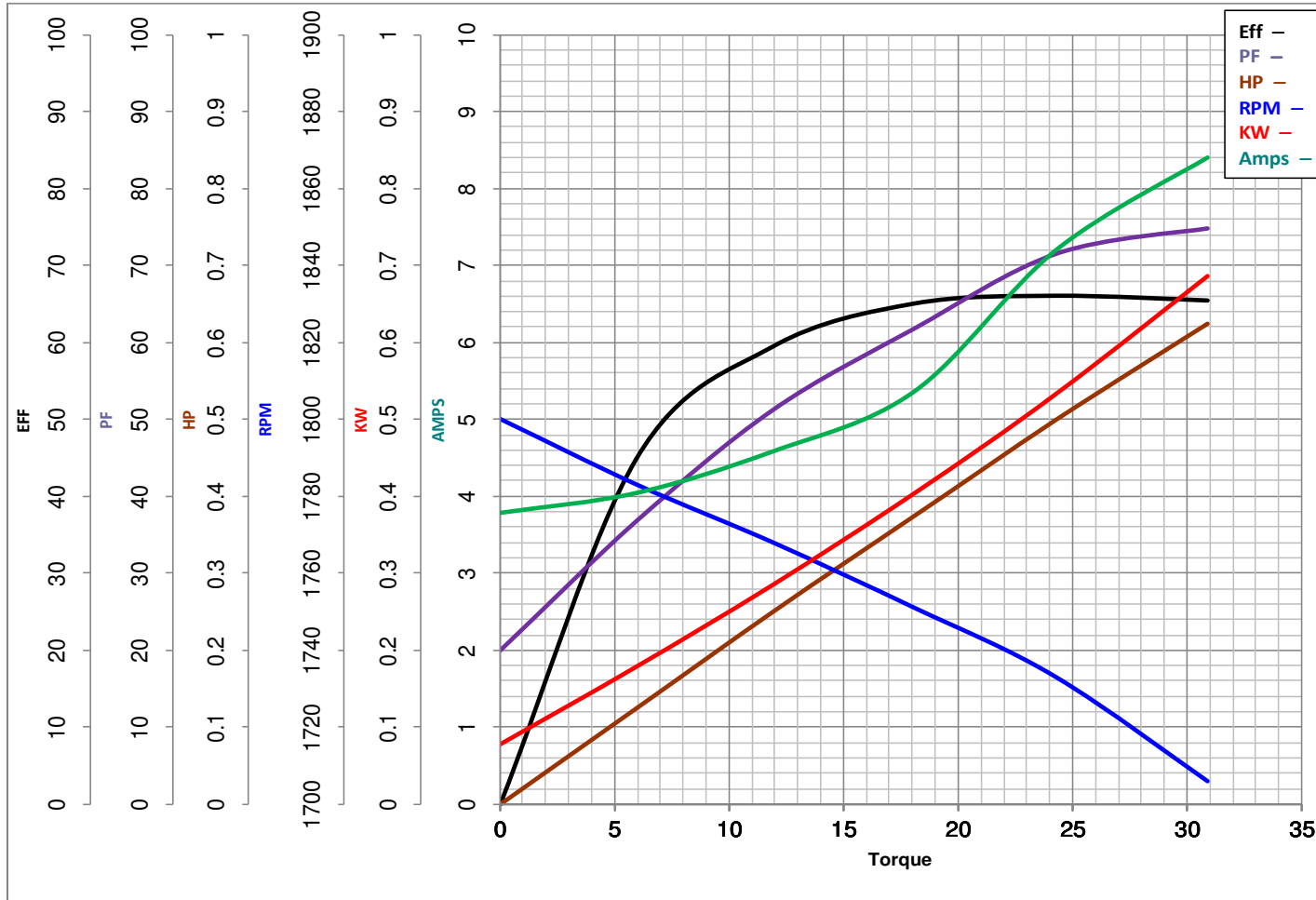
Catalog No B200

0.5

HP

HZ 60

RPM 1725



Torque in Oz.Ft

FL TORQUE 24.3 Oz.Ft  
BD TORQUE 49.2 Oz.Ft  
LR TORQUE 34.2 Oz.Ft

FL AMPS 7.2  
PU TORQUE 31.7 Oz.Ft  
LR AMPS 44.4

WINDING SM55497-1

Date 1/25/2019